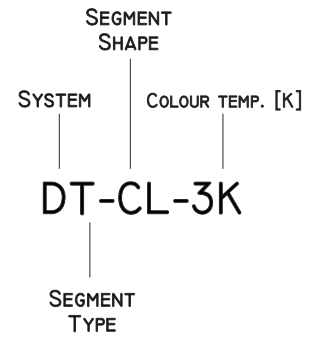
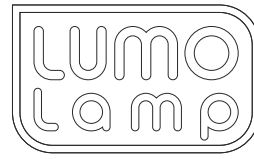
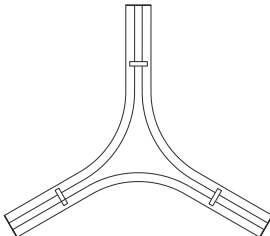
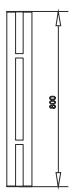
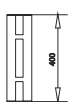
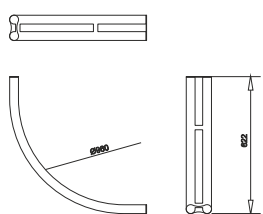

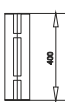
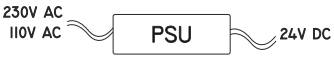
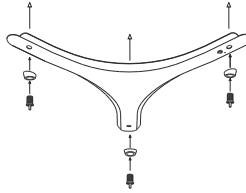


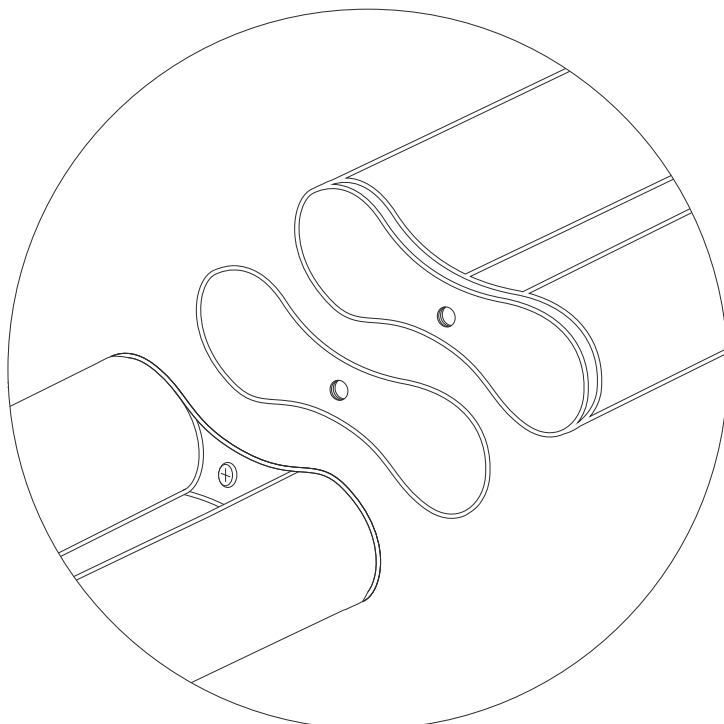
trigon



ILLUMINATED PARTS						
MODEL	TUBE/ TRACK/ OTHER	NAME/ SHAPE	W/V/ METER	CCT-K	W/ FIXTURE	NAME CODE
	TRIGON TUBE	FIXTURE	15W/ 24V	3000	57	TT-F-3K
			15W/ 48V	4000	57	TT-F-4K
			15W/ 48V	5000	57	TT-F-5K
	TRIGON TUBE	S800	15W/ 48V	3000	24	TT-S800-3K
			15W/ 48V	4000	24	TT-S800-4K
			15W/ 48V	5000	24	TT-S800-5K
	TRIGON TUBE	S400	15W/ 48V	3000	12	TT-S400-3K
			15W/ 48V	4000	12	TT-S400-4K
			15W/ 48V	5000	12	TT-S400-5K
	TRIGON TUBE	SURFACE CONNECTOR	15W/ 48V	3000	21	TT-SC-3K
			15W/ 48V	4000	21	TT-SC-4K
			15W/ 48V	5000	21	TT-SC-5K

NON- ILLUMINATED PARTS						
MODEL	TUBE/ TRACK/ OTHER	NAME/ SHAPE	W/V/ METER	CCT-K	W/ FIXTURE	NAME CODE
	MULTI TRACK	S800				T-STI5-800
	MULTI TRACK	S400				T-STI5-400
	TRIGON	POWER SUPPLY UNIT	100W/ 24V			T-PSU
	TRIGON	CANOPY				T-CAN

tube-pipe assembly



2 Trigon lamps are connected with custom CNC cut to shape connector. It may be applied onto any arm of the fixture, enabling the modular extension of the system into chosen direction by adding consecutive Trigon lamps.

fixing system

The fixing system consists of ceiling suspensions (straight or bendable holders) or wall/ ceiling direct mount holders enabling the formulation of custom ceiling/ wall shapes.

